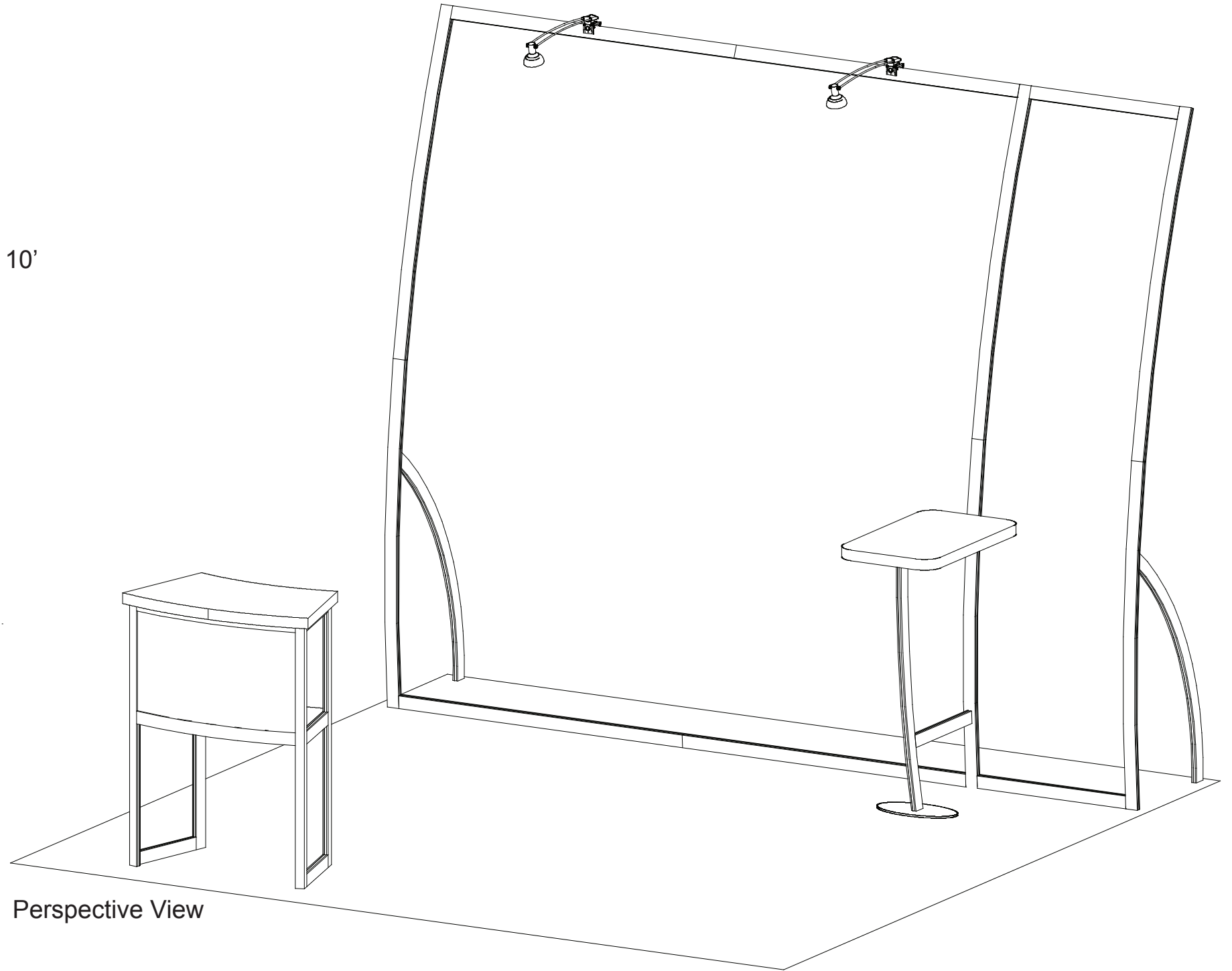


Plan View



Perspective View

General Setup Instructions

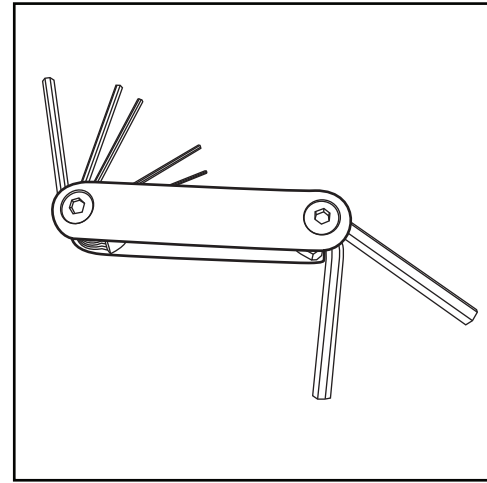
- Read entire setup instruction manual prior to unpacking parts and pieces.
- The setup instructions are created specifically for this configuration.
- Setup instructions are laid out sequentially in steps, including exploded views with detailed explanation for assembly.

Cleaning & Packing

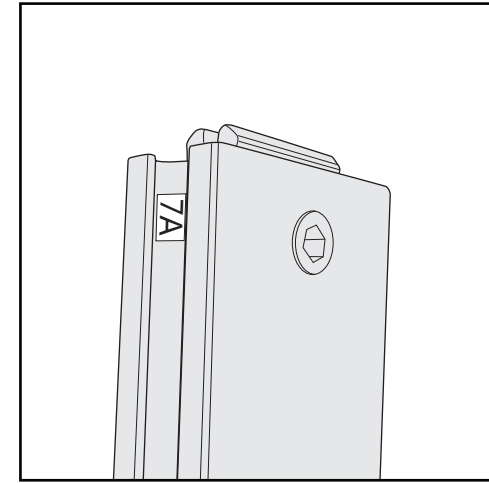
- For Cleaning Metal, Plex, & Laminate Parts: Use a **MILD NON-ABRASIVE** cleanser and soft cloth/paper towel to clean all surfaces.
- Keep exhibit components away from heat and prolonged sun exposure. **Heat and UV exposure will warp and fade components.**
- Retain all provided Packing Materials. All provided packing materials are for ease of repacking & component protection.

Disassembly

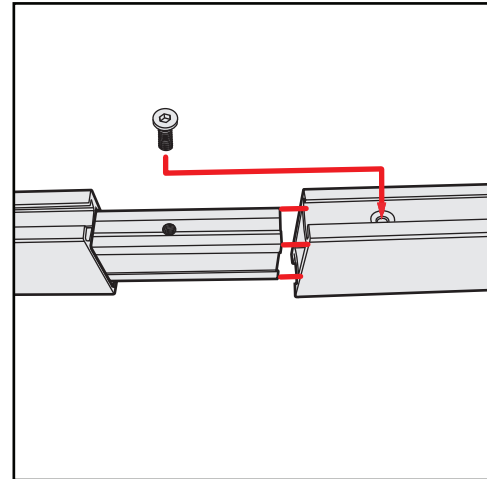
- For loss prevention, tighten all setscrews and locks during disassembly



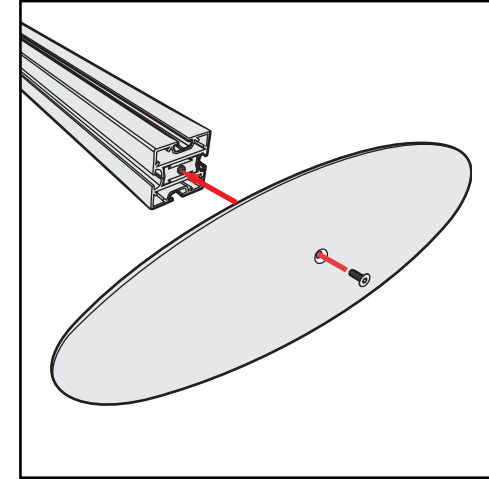
Hex Tool - Essential for Assembly



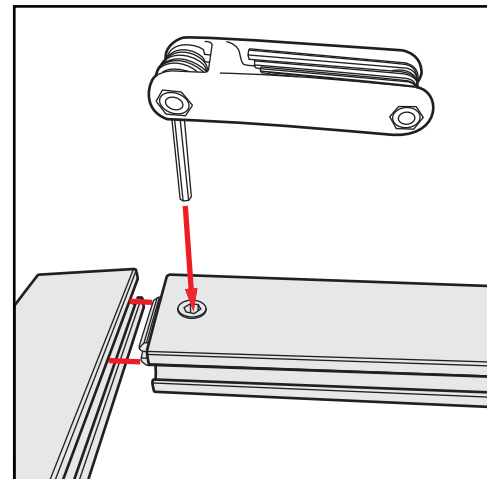
Part Identification - Numbering



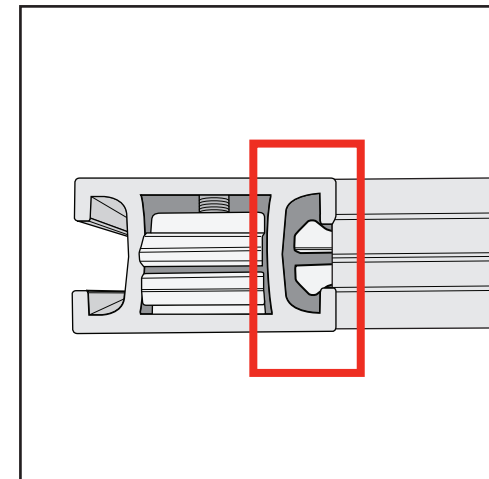
Spline Connection



Base Plate & Extrusion Connection



Extrusion & Lock Connection



Engaged Lock



WARNING



DO NOT USE POWER TOOLS

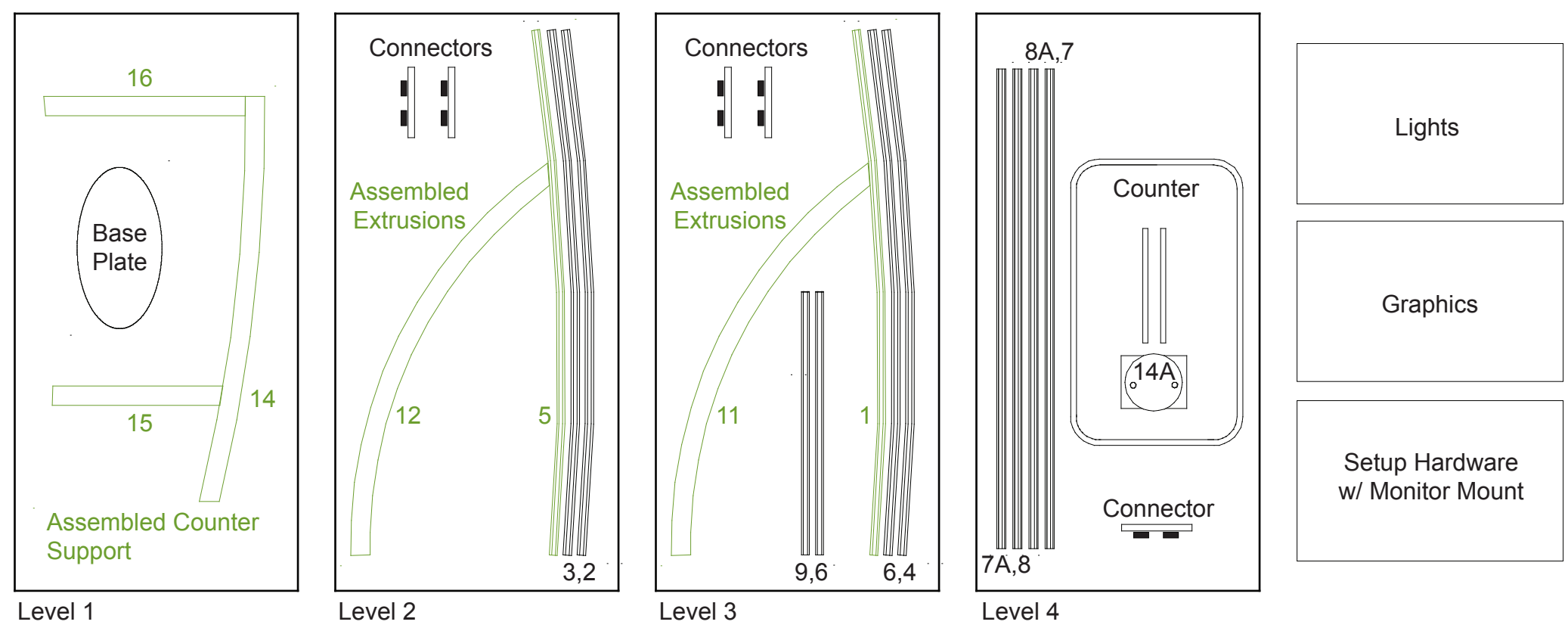


LADDERS OR LIFTS
MAY BE REQUIRED

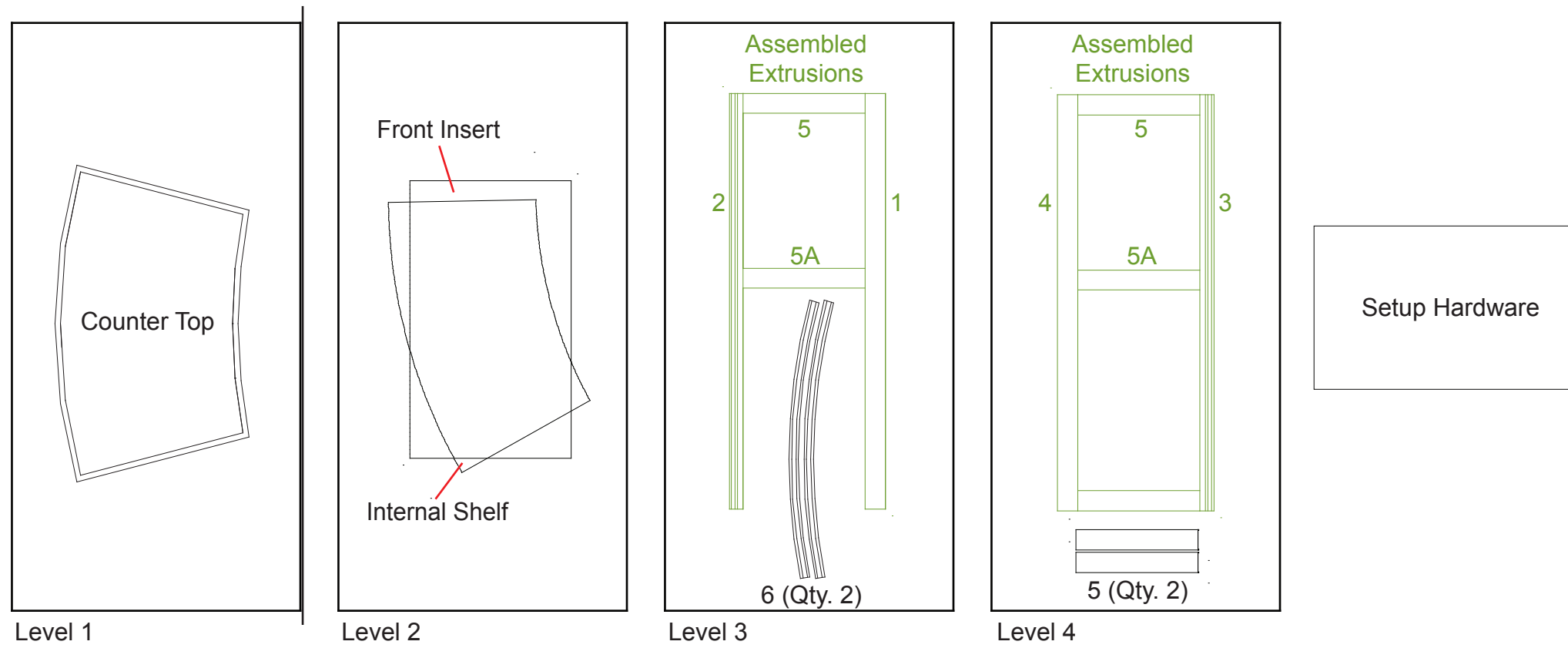


ALL CONNECTIONS MUST
BE TIGHTLY SECURED

Top View of Each Level



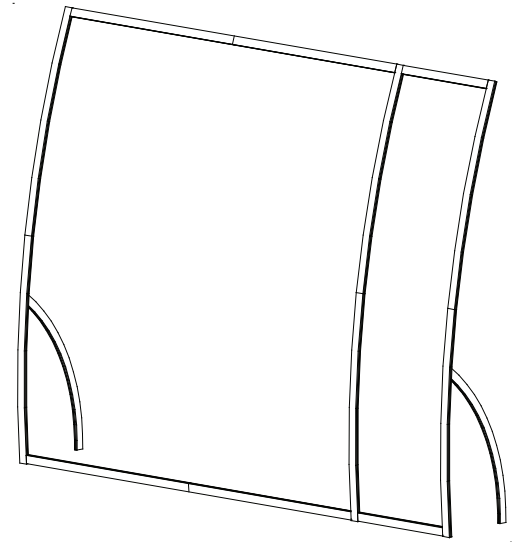
Top View of Each Level



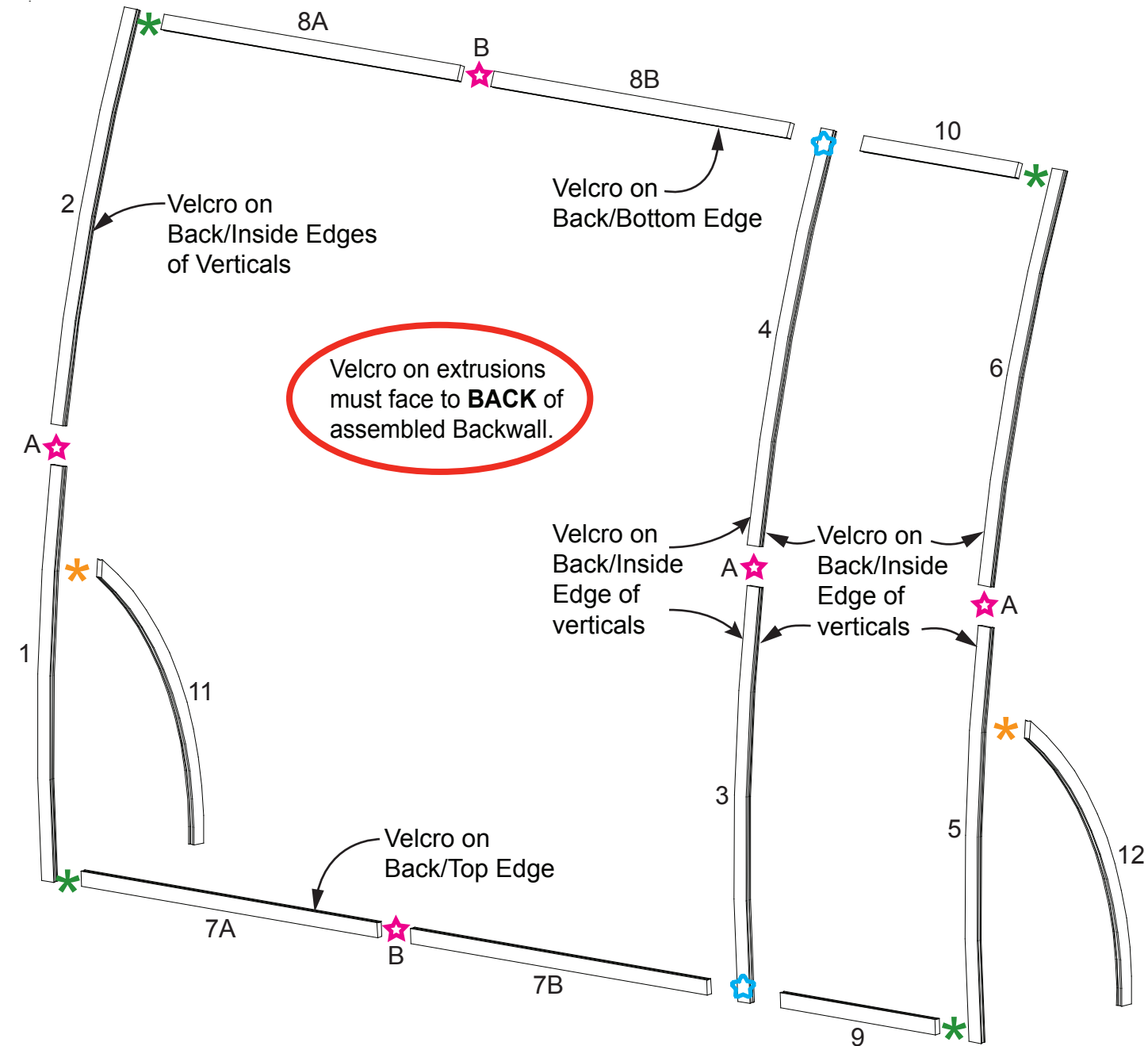
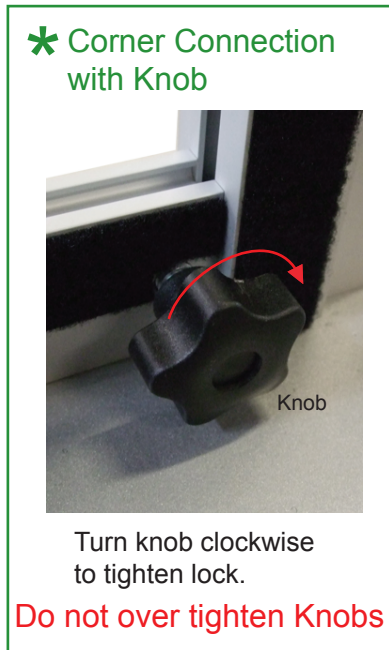
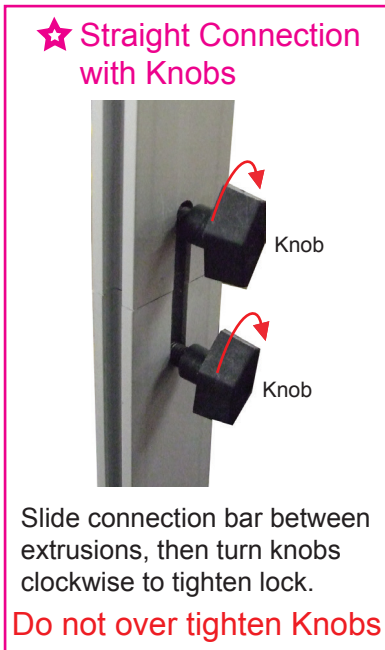
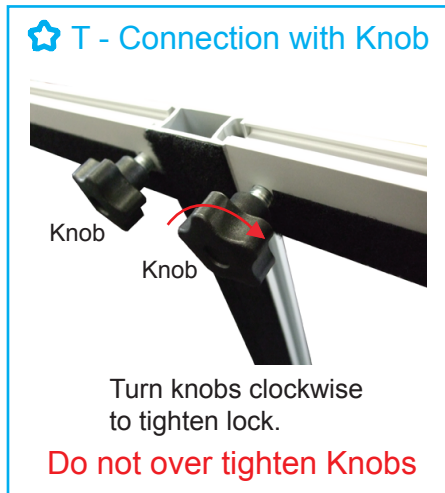
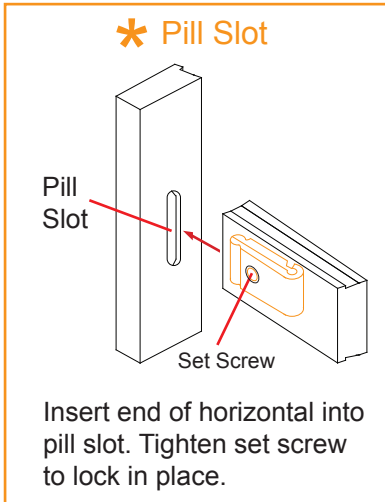
Part #	Qty	Description
1	1	48.5" h Curved Extrusion
2	1	48.5" h Curved Extrusion
3	1	48.5" h Curved Extrusion
4	1	48.5" h Curved Extrusion
5	1	48.5" h Curved Extrusion
6	1	48.5" h Curved Extrusion
7A/7B	1	44" w Horizontal Extrusion
8A/8B	1	44" w Horizontal Extrusion
9	1	23" w Horizontal Extrusion
10	1	23" w Horizontal Extrusion
11	1	Support Leg Extrusion
12	1	Support Leg Extrusion

Steps

- Backwall can be assembled on the floor, then lifted upright.**
- 1) Connect vertical extrusions [1 to 2] [3 to 4] and [5 to 6] together, using connection bars [A]. See ☆ detail.
 - 2) Connect horizontal extrusions [7A to 7B] and [8A to 8B] together, using connection bars [B]. See ☆ detail.
 - 3) Attach assemblies [7A/7B] [8A/8B] and extrusions [9] and [10] between vertical assemblies [1/2] [3/4] and [5/6]. See ☆ ☆ details.
 - 4) Attach extrusion [11 to 1] and [12 to 5]. See ☆ detail.
 - 5) Connect graphic to Velcro on BACK of assembled Backwall.



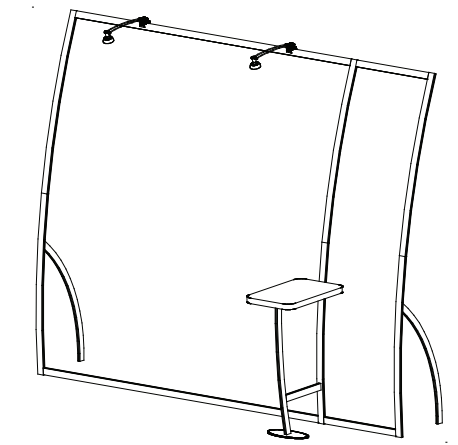
Completed Assembly



Part #	Qty	Description
13	1	Base Plate
14	1	37.6"h Curved Extrusion
14A	1	Flange Plate
15	1	18.5"w Horizontal Extrusion
16	1	15.69"w Horizontal Extrusion

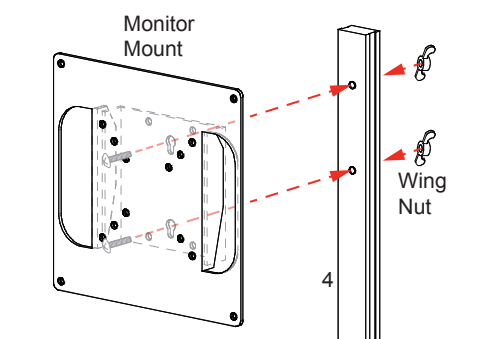
Steps

- 1) Attach extrusion [14] to base plate [13].
See **Base Plate Attachment** detail.
- 2) Attach horizontal extrusions [15] and [16] to extrusion [3].
- 3) Attach flange plate [14A] to top of extrusion [14], using bolt.
- 4) Attach counter to flange plate [14A].
See **Counter Attachment** detail.
- 5) Attach monitor mount to extrusion [3]. See **Monitor Mount Attachment** detail.
- 6) Connect lights to top of assembled backwall, where desired. See **Light Connection** detail.



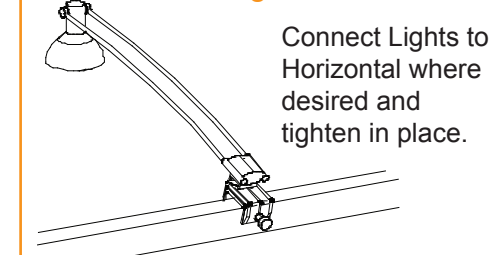
Completed Assembly

*** Monitor Mount Attachment**



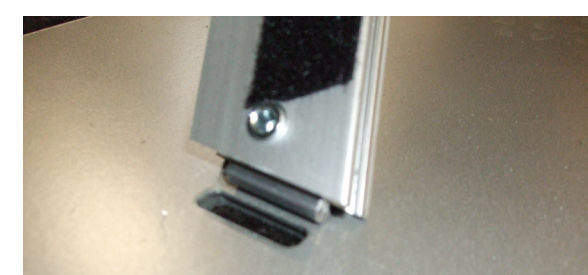
Attach monitor mount back plate to vertical extrusion [4], using bolts.

*** Light Connection**

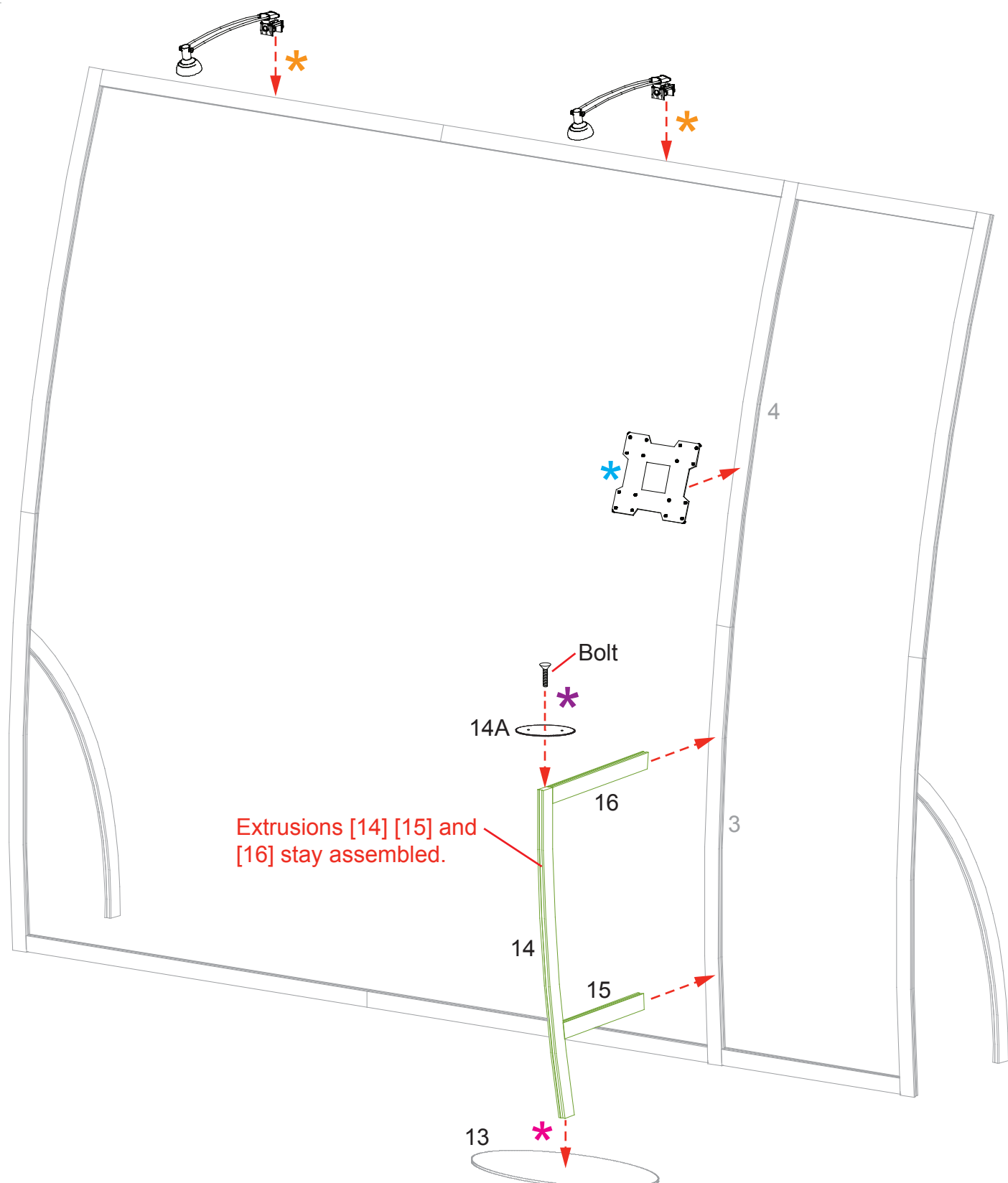
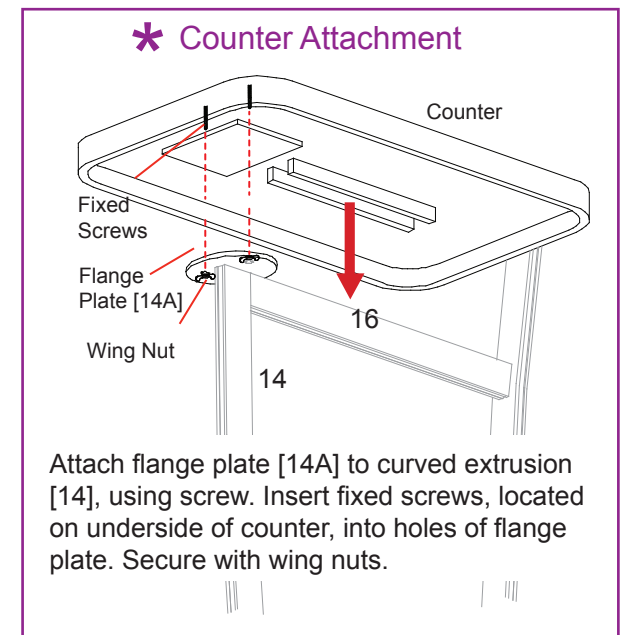


Connect Lights to Horizontal where desired and tighten in place.

*** Base Plate Attachment**

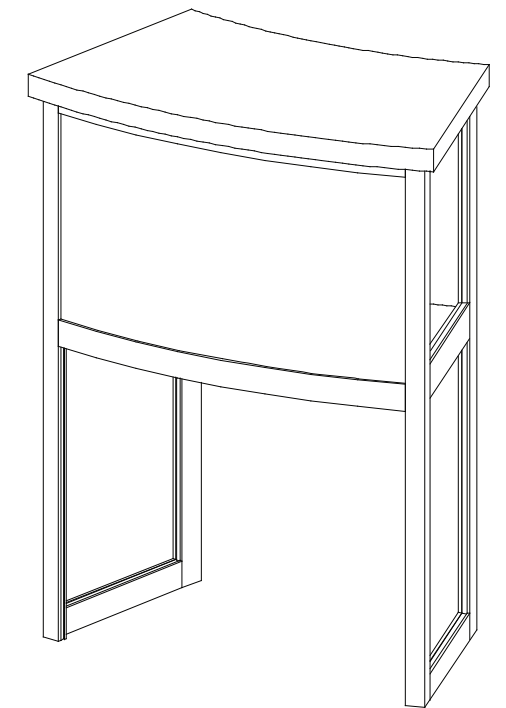


Place vertical extrusion [14] into slot of base plate [13], then tighten set screw to secure.



Item	Qty	Description
1	1	37.5" h Vertical Extrusion
2	1	37.5" h Corner Extrusion
3	1	37.5" h Corner Extrusion
4	1	37.5" h Vertical Extrusion
5/5A	4/2	11" w Horizontal Extrusion
6/6A	1/1	24.875" w Horizontal Extrusion

- Steps**
- 1) Attach horizontal extrusions [5] and [5A] between extrusions [1 and 2] [3 and 4].
 - 2) Attach curved horizontal extrusions [6] and [6A] between extrusions [2] and [3], with **Insert** between.
 - 3) Place shelf onto lips of extrusions [5A].
See **Extrusion Lip** detail.
 - 4) Set counter top on top of assembled base.



Completed Assembly

